



NEW



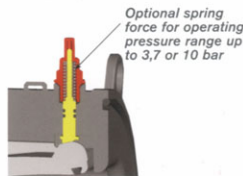
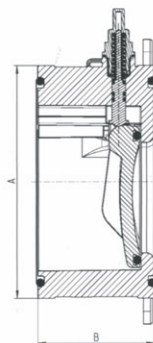
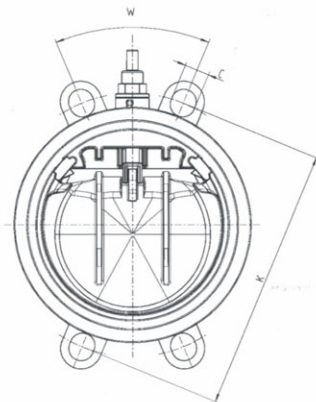
Plastic, industrial and speciality valves.

WAFER CHECK VALVE K4

- Excellent flow rates due to material and design (25% larger flow cross section)
- Disc opening from 80° to 85°
- Up to 50% higher flow rates (minimum pressure drop, optimum energy saving)
- Optional: with indicator and spring or without indicator
- Optional spring force for an operating pressure up to 3,7 or 10 bar
- Easy and quick installation by means of integrated sizing hole template
- No more discharge aids necessary

**PRAHER
VALVES**

DN	A (mm)	B (mm)	C (mm)	K (mm)	W (°)	Option for flange standard
65	115	63	20	139-145	90	
80	128	71	20	150-160	45	
100	155	80	20	175-191	45	BS
150	212	106	24	234-242	45	BS
200	264	140	24	290-299	45	BS
250	325	140	27	350-362	30	BS
300	372	181	27	400-432	30	BS



NEW